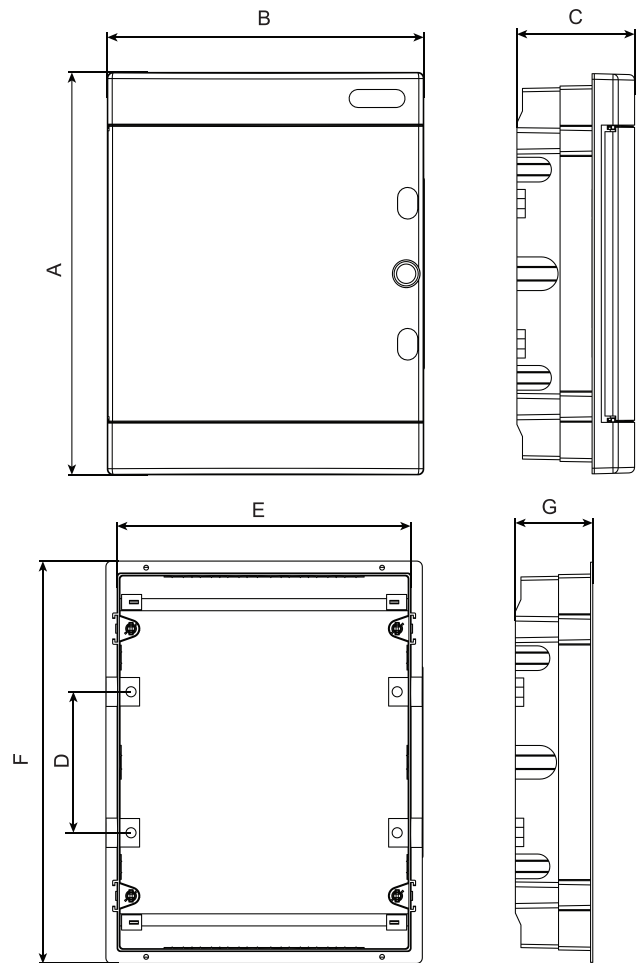


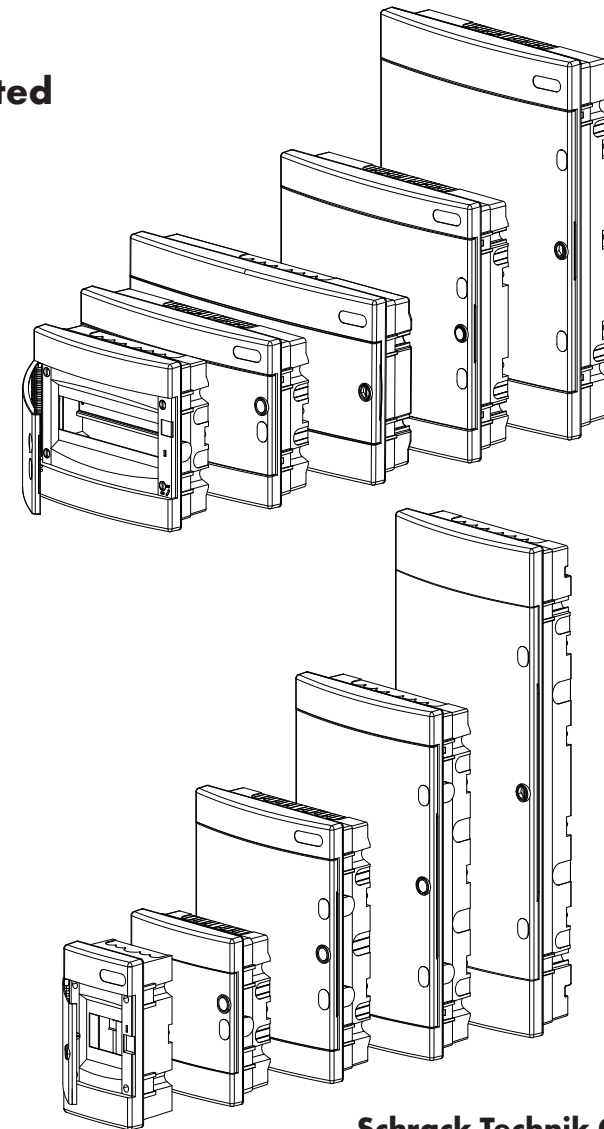
GP



# SCHRACK

## TECHNIK

**TOPO**  
**Flush-mounted**



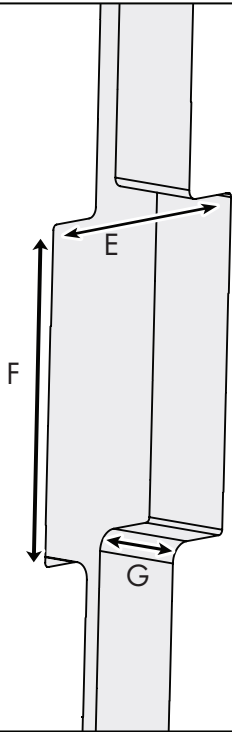
Door		A	B	C	D	E	F	G	Rows	MW	Power loss [W]*
Transparent	White	[mm]	[mm]	[mm]	[mm]	[mm]	[mm]	[mm]			
BK080005	BK080055	230	138	100	-	117	210	68	1	4	-9
BK080000	BK080050	230	210	100	-	187	208	68	1	8	-13
BK080001	BK080051	230	282	106	-	259	208	68	1	12	-17
BK080004	BK080054	230	391	106	-	368	208	68	1	18	-22
BK080008	BK080058	254	498	106	-	475	230	68	1	24	-30
BK080002	BK080052	355	282	106	125	259	331	68	2	24	-24
BK080006	BK080056	355	391	106	125	368	331	68	2	36	-32
BK080003	BK080053	480	282	106	125	259	456	68	3	36	-32
BK080007	BK080057	520	391	106	125	368	496	68	3	54	-45
BK080009	BK080059	674	282	108	125	259	649	70	4	48	-44

\*Max. radiated power of housing calculated as a flush-mounted single fixed with  $\Delta T = 35K$ .

For indoor locations ( $\leq 50\%$  RH at max.  $+40^\circ\text{C}$  or for example  $90\%$  RH at  $+20^\circ\text{C}$ )  
 Temperature range:  $-25^\circ\text{C} \dots +60^\circ\text{C}$ ; Rating Voltage 400V AC; IP40; Class II; IK07  
 According to: IEC 60670; IEC 62208

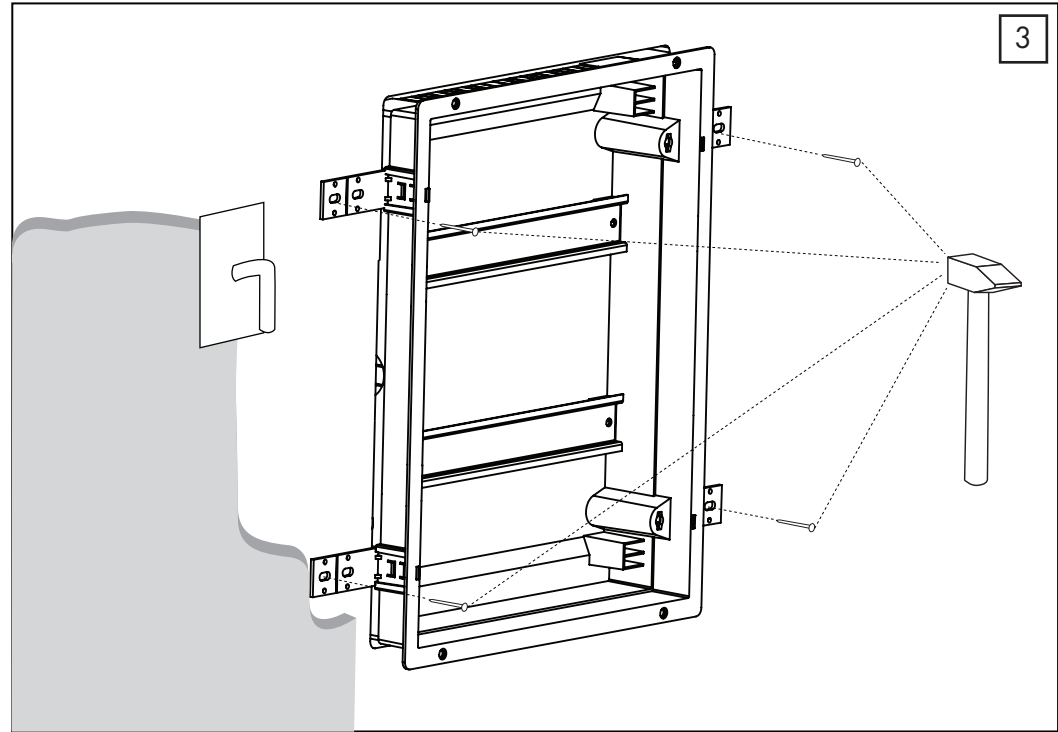
**Schrack Technik GmbH**  
 Seybelgasse 13, AT-1230 Vienna  
 Phone: +43(0)1/866 85-5900  
 E-Mail: [info@schrack.at](mailto:info@schrack.at)  
 Web: [www.schrack.com](http://www.schrack.com)

1

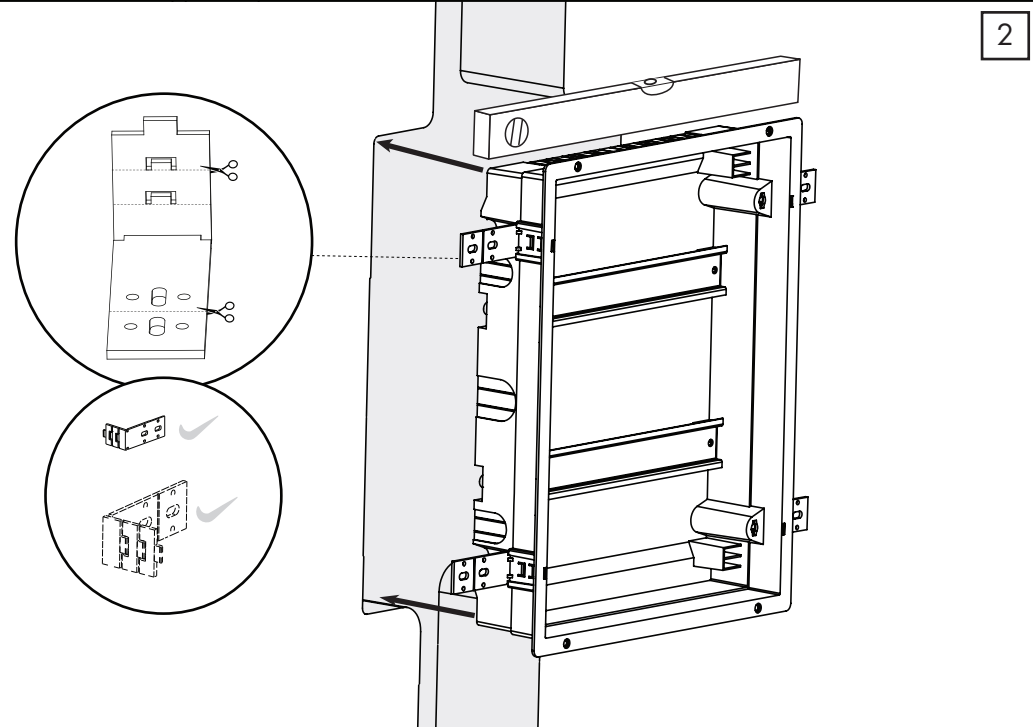


Door		E [mm]	F [mm]	G [mm]
Transparent	White			
BK080005	BK080055	117	210	68
BK080000	BK080050	187	208	68
BK080001	BK080051	259	208	68
BK080004	BK080054	368	208	68
BK080008	BK080058	475	230	68
BK080002	BK080052	259	331	68
BK080006	BK080056	368	331	68
BK080003	BK080053	259	456	68
BK080007	BK080057	368	496	68
BK080009	BK080059	259	649	70

3



2



4

